

HDXL

Heavy Duty Extra Large Doors



TNR® offers rugged durability and high performance drive systems for extra large door sizes for:

HARSH ENVIRONMENTS

dirt, dust, rain, snow, temperature

APPLICATIONS

ideal for heavy industrial and commercial applications, sized for extra large equipment access

LOW MAINTENANCE

simple, rugged design and heavy duty components ensure minimal maintenance required

HIGH WINDLOAD & PRESSURE DIFFERENTIAL

caused by exterior wind & positive pressure work environments



***Tough 'n' Ready
For Your Challenging
Environments***

HDXL Heavy Duty Extra Large

TNR® leads the way with High Performance, rugged roll-up doors for extra large openings. Big equipment needs big access openings. TNR's rubber doors are available up to 55 feet wide and 35 feet high. Openings beyond these sizes are available upon request. TNR® has the Engineering and Field Experience that assures the "Built To Your Needs" attention delivering peace of mind in applications of: mining, heavy manufacturing, steel, pulp and paper, waste management and oil and gas.

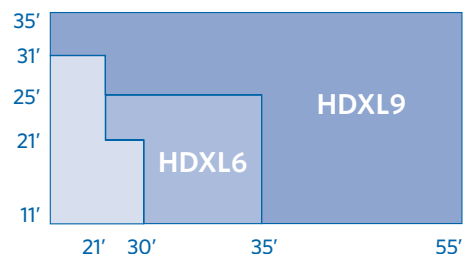
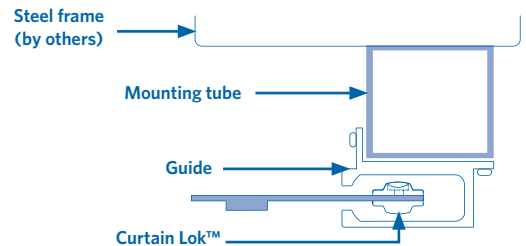
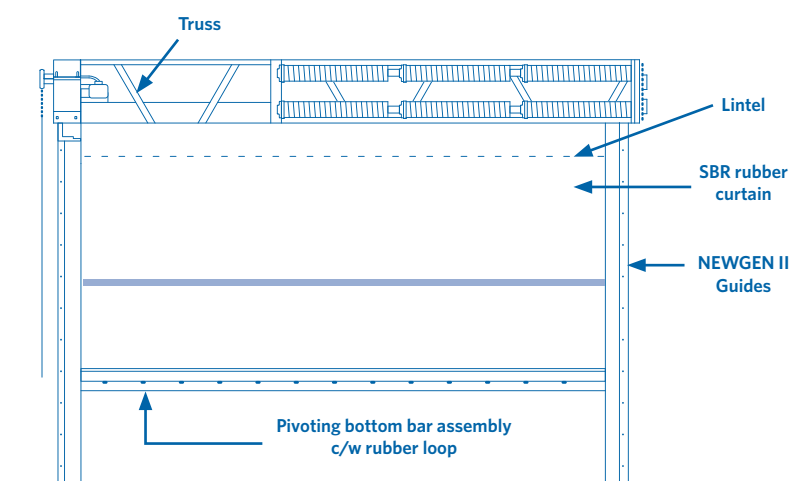
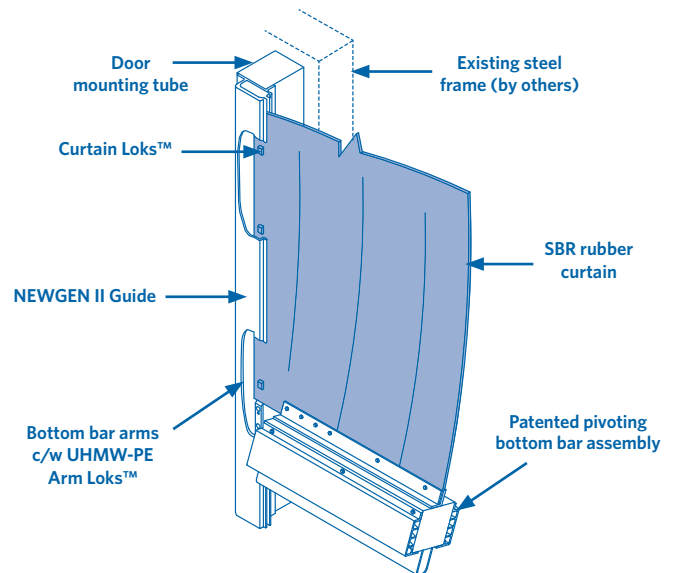
TNR® Mechanical Features

- 1/4" Black SBR rubber with polyester core weave. Flexible and resistant to abusive environments in temperatures from -40°F to +180°F.
- Patented NEWGEN II® Guide and Curtain Lok™ system. Reliable and consistent door operation. No guide gap maintenance required.
- Bottom bar with rubber loop.
- Sleek profile with easy installation, reduced clearances and minimal maintenance.
- No hinges, cables, pulleys or tension springs.
- Knock-Away Bottom Bar to reduce risk of damage during accidental impacts (Model HDXL6 only).
- Model HDXL6 can be mounted to concrete wall or steel jamb.
- Model HDXL9 for steel jamb mounting only.
- Frame mounted thru-beam photoelectric sensor (Model HDXL6). Constant Pressure to Close (Model HDXL9).
- Options: colors, windows, hoods, reversing edge, thru-beam photoelectric sensor, traveling windbar (maximum 30 feet wide) and MSHA-rated self-extinguishing curtains.

TNR® Drive Features

- High Efficiency Helical Gear Head (HG) Operator with multi-function capacity PLC Control Panel.
- Door Speed: up to 12 inches per second.
- Options: access controls and specialty functions.

Standard Features	HDXL6	HDXL9
Opening Speed —Up to (inches per second)	12	12
Maximum Wind Resistance —88 mph (20 psf)	●	●
Type of Balancing —Counterbalance spring assembly cycle rating (,000)	50K	50K
Door Mounting Steel		
Steel Channel and Flatbar Assembly	●	
Steel Rectangular Tubing		●
Pivoting Bottom Bar —Patented bottom bar assembly		●
Reversing Edge —Pressure sensitive wair-wave edge. Optional relay logic.	●	
Control Panel —Multi-function capacity PLC with inverter drive for soft start/soft stop operation	●	●
Activation —Remotes, pull cords, loop detectors	●	●
Warranty —Limited lifetime warranty on curtain and NEWGEN® Guide. Two years on all other parts and workmanship.	●	●



Toll-free 1-866-792-9968 Fax 1-705-735-9564 info@tnrdoors.com TNRdoors.com

