



# HDT-HDS

## High Traffic & High Speed Doors

TNR® TNR combines rugged durability with high performance drive systems for demanding industrial and commercial applications:

### HIGH TRAFFIC

and continual process flow demands

### HARSH ENVIRONMENTS

dirt, dust, rain, snow, temperature

### DOOR IMPACT CONCERNS

moving lift trucks, heavy equipment

### HIGH WINDLOAD & PRESSURE DIFFERENTIAL

caused by exterior wind exposure & positive pressure work environments



***Tough 'n' Ready  
For Your Challenging  
Environments***

# HDT—Heavy Duty Traffic & HDS—Heavy Duty Speed

**Applications:** Manufacturing, food processing, automotive, bus transit stations, parking garages, postal, airports and railways.

## TNR® rubber roll-up doors that have get-up-and-go performance

Peace of mind with maximum uptime in your fast-paced, non-stop, rugged workplace. Process and Maintenance Engineers recognize the value of TNR's proven durability and high speed performance.

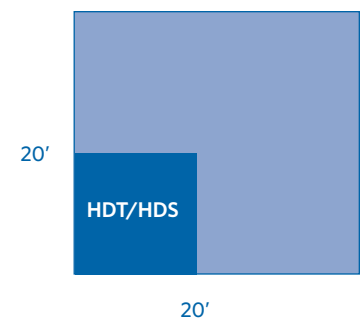
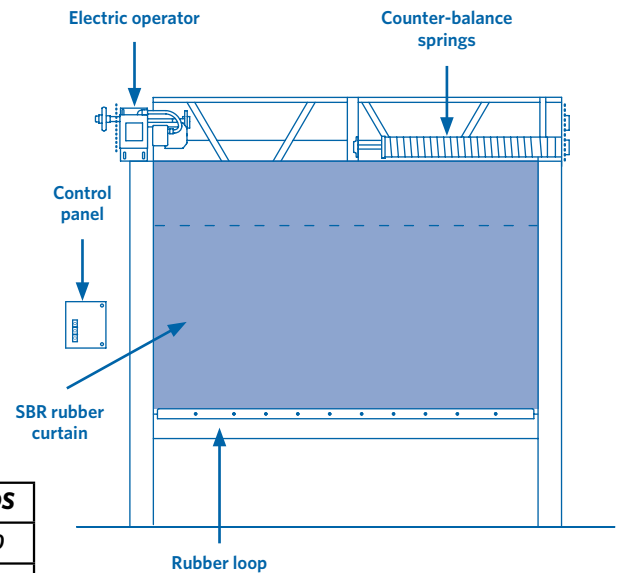
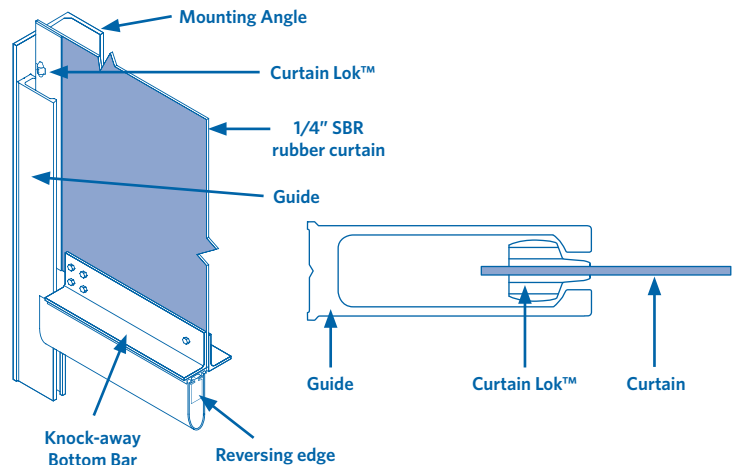
### TNR® Mechanical Features

- 1/4" Black SBR rubber with polyester core weave. Flexible and resistant to abusive environments and impacts in temperatures from -40°F to +180°F.
- Patented NEWGEN® guide and Curtain Lok™ system. Reliable and consistent door operation and impact release performance. No guide gap maintenance required.
- Impactable: After impact, it is up and running in minutes.
- Knock-away double angle steel bottom bar with rubber loop and reversing edge.
- Sleek profile with easy installation, reduced clearances and minimal maintenance.
- No hinges, cables, pulleys or tension springs.
- Self-supporting steel frame.
- Guide mounted thru-beam photoelectric sensor.
- Options: colors, windows, hoods, traveling windbar and MSHA-rated self-extinguishing curtains.

### TNR® Drive Features

- High Efficiency Helical Gear Head (HG) Operator with multi-function capacity PLC
- Door Speed: up to 60 inches per second (Model HDS)
- Options: access controls and specialty functions

## NEWGEN® Guide and Curtain Lok™ system



Standard Features	HDT	HDS
<b>Opening Speed</b> —Inches per second	30	60
<b>Type of balancing</b> —Counterbalance spring assembly cycle rating	100K	100K
<b>Type of curtain</b> —1/4" Black SBR rubber with polyester core weave	●	●
<b>Reversing edge</b> —Unique pressure sensitive air-wave edge	●	●
<b>Control panel</b> —Multi-function capacity PLC	●	●
—Relay Logic—optional	●	
<b>Inverter Drive</b> —Soft start and soft stop		●
<b>Activation</b> —Remotes, pull cords, loop detectors	●	●
<b>Self Supporting Steel Frame</b> —Steel Mounting Angle	●	●
<b>Warranty</b> —Limited Lifetime on curtain and NEWGEN Guides. Five years or 1,000,000 cycles on operators with frequency drive. Two years on parts and workmanship.	●	●