



Chillfast

FREEZER DOOR

TNR offers an insulated high speed door for savings in energy consumption and productivity.



***Tough 'n' Ready
For Your Challenging
Environments***

CHILLFAST—Freezer Door

Applications: Food processing (meat, fish, packaging), logistic services.

The TNR Chillfast insulated high speed roll-up door can sustain temperature ranges from 0°C to -20°C (32°F to -4°F) suitable for cold rooms, chill rooms and freezers.

Fast reaction system minimizes temperature losses in cold rooms when door is open thus providing substantial savings in energy consumption. Ice build-up is avoided on components and walk-through areas.

TNR Mechanical Features

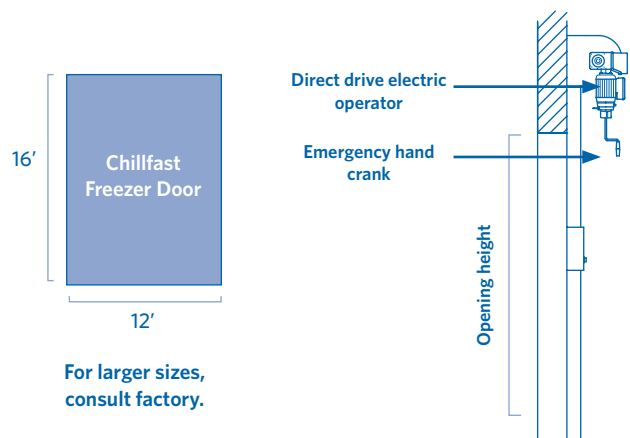
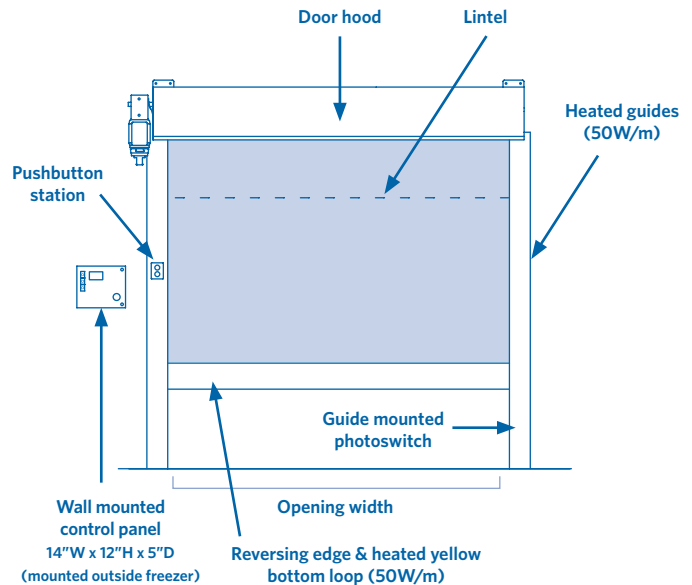
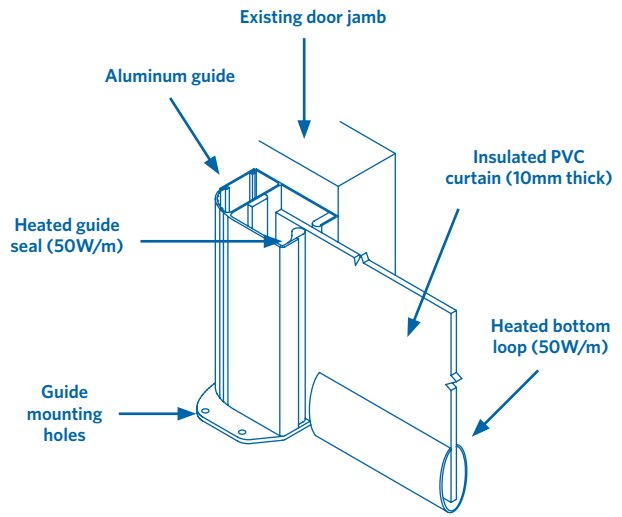
- Blue PVC insulated curtain resistant to extreme temperatures -30°C to +40°C (-22°F to +104°F).
- Maximum curtain size 12'W x 16'H.
- Bottom bar can withstand impact and will auto-reset.
- Guides are anodized extruded aluminum with EPDM profiles to achieve better insulation.
- Heating system within the guides and the bottom bar prevents ice build-up.
- Anodized extruded aluminum lintel with dynamic lintel system to avoid air transfer with PVC canvas.
- Aluminum door hood with white finish.
- Stainless steel idler, end brackets and hardware.
- Self-supporting steel frame.
- Options: Pull cords, motion sensor, loop detector, remote control, safety lights.

TNR Electrical Features

MOTOR	CONTROL PANEL
<ul style="list-style-type: none"> • Nema-4 with frequency inverter providing maximum opening speed (depending on door size) of 75" per second and 30" per second to close • Digital Encoder • Synthetic oil and heater standard 	<ul style="list-style-type: none"> • No maintenance required • Nema-4 Enclosure • Control voltage 24, 60Hz • Direct Drive with inverter panel for soft start/soft stop operation • Plug & Play connection

Warranty - Five years or 1,000,000 cycles on operator. Two years on all other parts and workmanship. One year on PVC curtain.

Jamb Mounting Section View



Toll-free 1-866-792-9968 Fax 1-705-735-9564 info@tnrdoors.com TNRdoors.com

Copyright© 2015 TNR Industrial Doors Inc. All rights reserved. All trademarks and registered trademarks are the property of their respective owners. Specifications subject to change. Canadian Patents - 2446648, 2436381, 2463208, 2737124. US Patents - 7516770, 6942003, 8291960.